



Plumbing Trade Supplies

BOSSMIX™ TMV3

Failsafe Thermostatic Mixing Valves



DO8
APPROVED



Introduction

The BOSSMIX™ TMV3 Range has been designed and manufactured to meet the rigorous requirements of current TMV3 standards. All the valves offered are approved and designated TMV3 or Type 3 valves, as defined in the NHS Estates Guidance document (DO8), and BS7942

Comprising of a choice of 2 valves - 15mm and 22mm, combined with a choice of 2 types of connections - straight or angled (15mm or 22mm), the BOSSMIX™ TMV3 range provides effective solutions for all TMV3 installation requirements and is fully supported by a dedicated BOSSMIX™ Technical Service Helpline.

Range Options

BMTMV315	Dedicated 15mm Valve c/w 15mm Integral Non-return Valves and Strainers
BMTMV322	Dedicated 22mm Valve c/w 22mm Integral Non-return Valves and Strainers
BMTMV315AC	Dedicated 15mm Valve c/w 15mm Angled Non-return Valves, Strainers and Isolating Valves
BMTMV322AC	Dedicated 22mm Valve c/w 22mm Angled Non-return Valves, Strainers and Isolating Valves

Features

- Dedicated BOSSMIX™ Technical Helpline: 0870 112 1597
- 2 Year Guarantee
- 15mm and 22mm Compression Fittings
- Straight or Angled Connection Options
- Standard Connection Valves supplied with Non-return Valves and Strainers
- Angled Connection Valves supplied with Angled Non-return Valves, Strainers and Isolating Valves
- Accurate Temperature Control
- Tamper Proof Head c/w Locking Nut
- Failsafe Cold Water Failure Device
- Flat faced union between valve body and check valve housing for ease of maintenance
- Full Service KIts Available

Approvals

- ✓ DO8 - NHS Estates Model Engineering Specification Approved
- ✓ TMV3 Scheme Approved
- ✓ BuildCert Approved: Cert No: BC081/0204
- ✓ WRAS Approved: Cert No: 0401054

Technical Specification

- Maximum Working Pressure: 10 bar (Static)
- Minimum Working Pressure: 0.2 bar (Dynamic)
- Maximum Pressure Ratio: 5:1 (in favour of either supply)
- Operating Pressure Range:
Low Pressure 0.2 - 1.0 bar
High Pressure 1.0 - 5.0 bar
- Maximum Incoming Temperature:
Hot: 85°C (DO8 - 65°C)
Cold: 5-20°C
- Adjustable Temperature Range: 30-50°C
- Minimum Differential Temperature: 10°C (Between Hot and Mixed Water)
- Stability: ±2°C

Installation Guidance

The following information is to act as a general guide and in no way supersedes the guidelines laid down by the current TMV3 installation requirements and the Installation & Commissioning Instructions supplied with each valve.

- The BOSSMIX™ TMV3 range is suitable for single outlet applications only.
- We recommend that isolation valves be fitted as part of all TMV3 installations to aid in commissioning and maintenance (supplied as standard with BOSSMIX™ TMV3 angle connection option).
- The BOSSMIX™ TMV3 range is designed to be installed in any orientation as long as the temperature setting device is accessible for commissioning and maintenance purposes.
- A back flow prevention device (non-return valves) MUST be fitted to prevent cross contamination of water supplies. Supplied as standard with all BOSSMIX™ TMV3 valves.
- Where excessive pressure is present from one or both water supplies, pressure reducing valve(s) should be used to reduce pressure to within the specified pressure limits.
- Systems should be cleaned and free from debris. In older systems, which may be subject to debris, we recommend the use of isolating ball valves complete with internal strainers.

Commissioning/Maintenance

- Must be carried out in strict adherence to the instructions included with each valve and as laid down by the health & safety regulations. **Failure to do so could result in serious injury or even death.**

BOSSMIX™ TMV3 15mm Applications

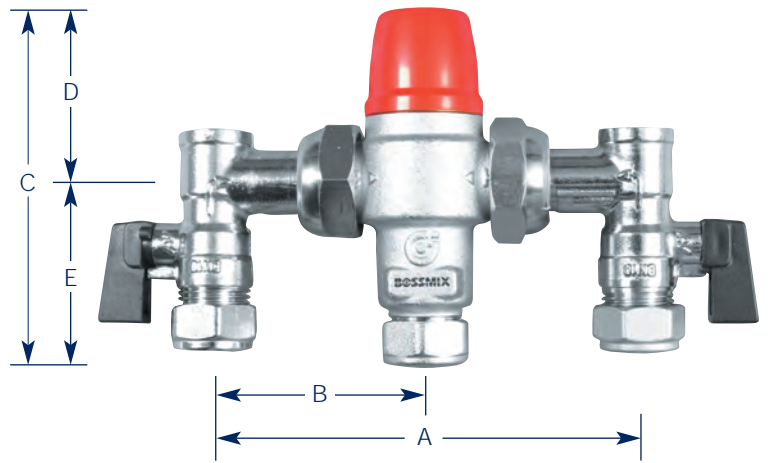
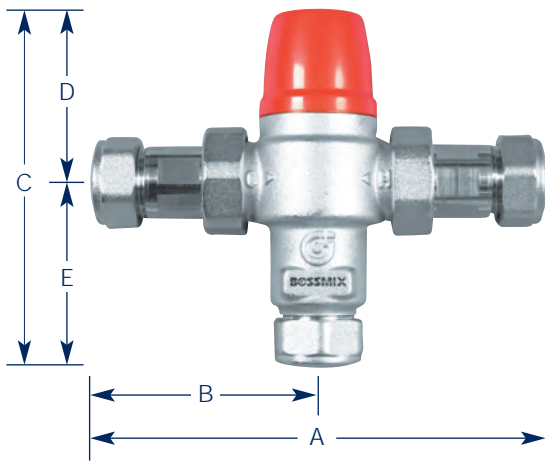
- Wash hand basin - high pressure (H P-W)
- Wash hand basin - low pressure (L P-W)
- Showers - high pressure (H P-S)
- Showers - low pressure (L P-S)
- Bidets - high pressure (H P-B)
- Bidets - low pressure (L P-B)

BOSSMIX™ TMV3 22mm Applications

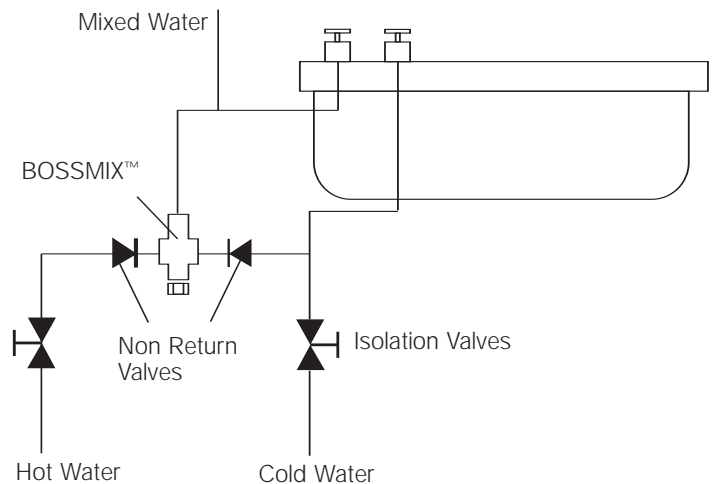
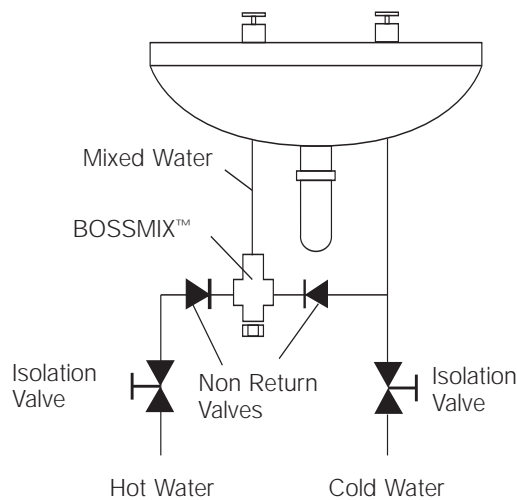
- Wash hand basin - high pressure (H P-W)
- Wash hand basin - low pressure (L P-W)
- Showers - high pressure (H P-S)
- Showers - low pressure (L P-S)
- Bidets - high pressure (H P-B)
- Bidets - low pressure (L P-B)
- Baths - high pressure, fill temperature 44°C (HPT-44) Unassisted
- Baths - high pressure, fill temperature 46°C (HPT-46) Assisted

Dimensional Information

Keyword	A (mm)	B (mm)	C (mm)	D (mm)	E (mm)	Weight (Kg)
BMTMV315	135	67.5	105	49	56	0.50
BMTMV322	150	75	106	49	57	0.60
BMTMV315AC	191	96	105	49	56	0.65
BMTMV322AC	197	99	106	49	57	0.75



Schematics and Typical Installations



ABERDEEN
Tel: 01224 893700 Fax: 01224 891244

ACTON
Tel: 020 8735 1300 Fax: 020 8740 9960

ALDRIDGE
Tel: 01922 456390 Fax: 01922 745450

ALNWICK
Tel: 01665 606046 Fax: 01665 606070

ALTRINCHAM
Tel: 0161 929 4666 Fax: 0161 928 9994

ASHFORD
Tel: 01233 664600 Fax: 01233 664700

ASHINGTON
Tel: 01670 784400 Fax: 01670 523926

ASHTON-UNDER-LYNE
Tel: 0161 343 1154 Fax: 0161 343 1049

ATTLEBOROUGH
Tel: 01953 457181 Fax: 01953 455336

AYR
Tel: 01292 293400 Fax: 01292 610142

BASINGSTOKE
Tel: 01256 472380 Fax: 01256 475055

BEDFORD
Tel: 01234 843444 Fax: 01234 843553

BEDMINSTER
Tel: 0117 966 0333 Fax: 0117 963 9600

BELLSHILL
Tel: 01698 573300 Fax: 01698 844136

BIRKENHEAD
Tel: 0151 609 4600 Fax: 0151 608 2289

BIRMINGHAM Aston
Tel: 0121 322 4700 Fax: 0121 327 6727

BIRMINGHAM Gravelly
Tel: 0121 326 0707 Fax: 0121 328 1846

BISHOP AUCKLAND
Tel: 01388 774562 Fax: 01388 774549

BLACKBURN
Tel: 01254 693993 Fax: 01254 660973

BLACKPOOL
Tel: 01253 792544 Fax: 01253 760060

BOGNOR REGIS
Tel: 01243 837346 Fax: 01243 840953

BOLTON
Tel: 01204 380820 Fax: 01204 380340

BRACKNELL
Tel: 01344 451244 Fax: 01344 489528

BRADFORD
Tel: 01274 715900 Fax: 01274 730295

BRIDGWATER
Tel: 01278 456000 Fax: 01278 433166

BRIERLEY HILL
Tel: 01384 267730 Fax: 01384 571557

BRIGHTON
Tel: 01273 414115 Fax: 01273 412040

BRISTOL Fishponds
Tel: 0117 958 3311 Fax: 0117 958 5644

BRISTOL St Phillips
Tel: 0117 972 7972 Fax: 0117 972 7999

BURNLEY
Tel: 01282 830310 Fax: 01282 830154

CAMBERLEY
Tel: 01276 410900 Fax: 01276 691485

CAMBRIDGE
Tel: 01223 210100 Fax: 01223 247859

CANNOCK
Tel: 01543 422540 Fax: 01543 876060

CANTERBURY
Tel: 01227 478899 Fax: 01227 477199

CARDIFF Dumballs Road
Tel: 029 2046 4655 Fax: 029 2046 5686

CARDIFF Oceanway
Tel: 029 2044 5400 Fax: 029 2048 2202

CARLISLE
Tel: 01228 882100 Fax: 01228 514952

CHELMSFORD
Tel: 01245 253920 Fax: 01245 348427

CHELTHAM
Tel: 01242 516234 Fax: 01242 573468

CHESTER
Tel: 01244 392600 Fax: 01244 379143

CHICHESTER
Tel: 01243 817600 Fax: 01243 773878

CHIPPENHAM
Tel: 01249 462900 Fax: 01249 655652

CIRENCESTER
Tel: 01285 658080 Fax: 01285 885552

CONGLETON
Tel: 01260 298181 Fax: 01260 298551

COVENTRY
Tel: 024 7655 2709 Fax: 024 7622 5528

CRAWLEY
Tel: 01293 514911 Fax: 01293 531370

CRAYFORD
Tel: 01322 522755 Fax: 01322 521569

CREWE
Tel: 01270 500941 Fax: 01270 250588

CROYDON
Tel: 020 8688 0891 Fax: 020 8688 6686

CWMBRAN
Tel: 01633 838444 Fax: 01633 863696

DALKEITH
Tel: 0131 663 1555 Fax: 0131 660 0066

DARLINGTON
Tel: 01325 481357 Fax: 01325 468623

DERBY Prime Parkway
Tel: 01332 369100 Fax: 01332 369200

DERBY Sir Francis Ley
Tel: 01332 374600 Fax: 01332 299514

DISS
Tel: 01379 651303 Fax: 01379 650681

DONCASTER
Tel: 01302 892920 Fax: 01302 883755

DRONFIELD
Tel: 01246 290794 Fax: 01246 290798

DUMBARTON
Tel: 01389 762448 Fax: 01389 762483

DUMFRIES
Tel: 01387 250057 Fax: 01387 279898

DUNDEE
Tel: 01382 834600 Fax: 01382 884179

DUNFERMLINE
Tel: 01383 730101 Fax: 01383 432202

DURHAM
Tel: 0191 375 1240 Fax: 0191 384 3789

EAST KILBRIDE
Tel: 01355 579000 Fax: 01355 265690

EASTBOURNE
Tel: 01323 507309 Fax: 01323 507032

EDINBURGH Albert Street
Tel: 0131 561 3500 Fax: 0131 555 6544

EDINBURGH Sighthill
Tel: 0131 453 2235 Fax: 0131 453 2249

EPSOM
Tel: 01372 722882 Fax: 01372 722883

EXETER
Tel: 01392 223800 Fax: 01392 422604

FAKENHAM
Tel: 01328 856811 Fax: 01328 863939

FALKIRK
Tel: 01324 616900 Fax: 01324 625528

FAREHAM
Tel: 01329 826577 Fax: 01329 828821

FARNBOROUGH
Tel: 01252 520329 Fax: 01252 518937

FROME
Tel: 01373 455522 Fax: 01373 454440

GLASGOW Denmark Street
Tel: 0141 347 4300 Fax: 0141 336 3231

GLASGOW Vermont Street
Tel: 0141 418 4400 Fax: 0141 429 7084

GLOUCESTER Sabre Close
Tel: 01452 726100 Fax: 01452 724474

GLOUCESTER Woodrow Way
Tel: 01452 383200 Fax: 01452 505801

HAILSHAM
Tel: 01323 445900 Fax: 01323 442620

HALESOWEN
Tel: 0121 550 5155 Fax: 0121 585 0605

HALIFAX
Tel: 01422 386300 Fax: 01422 321856

HARTLEPOOL
Tel: 01429 860825 Fax: 01429 861199

HASTINGS
Tel: 01424 855619 Fax: 01424 850044

HAVERHILL
Tel: 01440 705876 Fax: 01440 708500

HAYWARDS HEATH
Tel: 01444 454676 Fax: 01444 414851

HEMEL HEMPSTEAD
Tel: 01442 235139 Fax: 01442 211123

HITCHIN
Tel: 01462 420337 Fax: 01462 421717

HODDESDON
Tel: 01992 706100 Fax: 01992 467624

HORSHAM
Tel: 01403 210780 Fax: 01403 259009

HUDDERSFIELD
Tel: 01484 448400 Fax: 01484 542100

HULL Hessele
Tel: 01482 644466 Fax: 01482 643800

HULL Sutton Fields
Tel: 01482 832500 Fax: 01482 824756

IPSWICH
Tel: 01473 325000 Fax: 01473 715194

KEIGHLEY
Tel: 01535 664880 Fax: 01535 665050

KILMARNOCK
Tel: 01563 551617 Fax: 01563 522224

LEAMINGTON SPA
Tel: 01926 338788 Fax: 01926 451331

LEEDS Braithwaite Street
Tel: 0113 242 9889 Fax: 0113 243 0997

LEEDS Hunslet
Tel: 0113 201 6900 Fax: 0113 201 6996

LEICESTER Cobden Street
Tel: 0116 242 7700 Fax: 0116 242 7701

LEICESTER Freeman's Common
Tel: 0116 255 5001 Fax: 0116 254 7175

LEWES
Tel: 01273 480637 Fax: 01273 470882

LEWISHAM
Tel: 020 8297 7864 Fax: 020 8852 0861

LINCOLN
Tel: 01522 516350 Fax: 01522 522744

LIVERPOOL
Tel: 0151 522 2400 Fax: 0151 523 5658

LIVINGSTON
Tel: 01506 444818 Fax: 01506 444840

LUTON
Tel: 01582 490130 Fax: 01582 592080

MAIDSTONE Hart Street
Tel: 01622 674702 Fax: 01622 674111

MAIDSTONE Parkwood
Tel: 01622 767500 Fax: 01622 756544

MANCHESTER
Tel: 0161 888 6500 Fax: 0161 888 6501

MANSFIELD
Tel: 01623 424004 Fax: 01623 622668

MEDWAY
Tel: 01634 264333 Fax: 01634 261777

MIDDLESBROUGH
Tel: 01642 431800 Fax: 01642 469615

MILTON KEYNES
Tel: 01908 368833 Fax: 01908 641730

NEWCASTLE Scotswood Road
Tel: 0191 256 5400 Fax: 0191 272 0848

NEWCASTLE Union Street
Tel: 0191 211 4100 Fax: 0191 261 7884

NEWHAVEN
Tel: 01273 513830 Fax: 01273 611280

NEWMARKET
Tel: 01638 664332 Fax: 01638 664311

NEWPORT
Tel: 01633 294300 Fax: 01633 270445

NORTH SHIELDS
Tel: 0191 270 3300 Fax: 0191 296 3867

NORTHAMPTON
Tel: 01604 597600 Fax: 01604 750920

NORWICH Concorde Road
Tel: 01603 418616 Fax: 01603 407569

NORWICH Roundtree Way
Tel: 01603 486808 Fax: 01603 402869

NOTTINGHAM Easter Park
Tel: 0115 970 7300 Fax: 0115 970 7310

NOTTINGHAM Queen's Drive
Tel: 0115 986 7333 Fax: 0115 986 7373

NUNEATON
Tel: 024 7638 8438 Fax: 024 7664 1370

OLDHAM
Tel: 0161 785 4700 Fax: 0161 652 3136

ORPINGTON
Tel: 01689 883160 Fax: 01689 898045

OSWESTRY
Tel: 01691 654811 Fax: 01691 671223

OXFORD
Tel: 01865 398880 Fax: 01865 401470

PERTH
Tel: 01738 620026 Fax: 01738 449238

PETERBOROUGH
Tel: 01733 558121 Fax: 01733 551118

PLYMOUTH
Tel: 01752 600088 Fax: 01752 260586

PONTYPRIDD
Opening soon

POOLE
Tel: 01202 696000 Fax: 01202 601123

PORT TALBOT
Tel: 01639 825800 Fax: 01639 812510

PORTSMOUTH
Tel: 023 9266 4555 Fax: 023 9266 2777

PRESTON
Tel: 01772 663190 Fax: 01772 654673

RAMSGATE
Tel: 01843 866150 Fax: 01843 866151

RAYNES PARK
Tel: 020 8947 1201 Fax: 020 8947 4729

READING
Tel: 0118 931 4482 Fax: 0118 931 4513

REDHILL
Tel: 01737 859770 Fax: 01737 780022

ROTHERHAM
Tel: 01709 837090 Fax: 01709 828485

RUGBY
Tel: 01788 540133 Fax: 01788 544442

RUTHERGLEN
Opening soon

SALISBURY
Tel: 01722 416000 Fax: 01722 415500

SHEFFIELD Attercliffe Common
Tel: 0114 263 5300 Fax: 0114 244 4538

SHEFFIELD Parkwood
Tel: 0114 276 6552 Fax: 0114 276 5664

SHOREHAM
Tel: 01273 466800 Fax: 01273 455730

SHREWSBURY
Tel: 01743 440045 Fax: 01743 461584

SOUTH SHIELDS
Tel: 0191 455 5582 Fax: 0191 456 4498

SOUTHAMPTON
Tel: 023 8022 1120 Fax: 023 8022 1121

SOUTHPORT
Tel: 01704 548800 Fax: 01704 541188

STIRLING
Tel: 01786 434800 Fax: 01786 447486

STOCKTON
Tel: 01642 667700 Fax: 01642 618049

STOKE Basford
Tel: 01782 381400 Fax: 01782 712564

STOKE Hanley
Tel: 01782 261311 Fax: 01782 202427

SUNDERLAND
Tel: 0191 537 5300 Fax: 0191 549 6395

SWINDON Elgin
Tel: 01793 645000 Fax: 01793 693030

SWINDON Watermead
Tel: 01793 421010 Fax: 01793 481010

TAMWORTH
Tel: 01827 313635 Fax: 01827 316712

TELFORD
Tel: 01952 606140 Fax: 01952 604802

TONBRIDGE
Tel: 01732 373100 Fax: 01732 361859

TUNBRIDGE WELLS
Tel: 01892 546630 Fax: 01892 548580

UCKFIELD
Tel: 01825 763344 Fax: 01825 765265

WAKEFIELD
Tel: 01924 239177 Fax: 01924 290645

WALSALL
Tel: 01922 703800 Fax: 01922 630072

WALTHAM CROSS
Tel: 01992 767267 Fax: 01992 719501

WANDSWORTH
Tel: 020 8877 1700 Fax: 020 8877 1938

WASHINGTON
Tel: 0191 419 0077 Fax: 0191 418 7175

WEST BROMWICH
Tel: 0121 555 1800 Fax: 0121 555 5399

WIGAN
Tel: 01942 617940 Fax: 01942 821211

WISBECH
Tel: 01945 589990 Fax: 01945 474827

WOKINGHAM
Tel: 0118 974 3400 Fax: 0118 977 5808

WOLVERHAMPTON
Tel: 01902 352220 Fax: 01902 459235

WORCESTER
Tel: 01905 612216 Fax: 01905 612655

WORKSOP
Tel: 01909 530080 Fax: 01909 531109

WORTHING
Tel: 01903 241998 Fax: 01903 242260

YATE
Tel: 01454 319800 Fax: 01454 273177

YEOVIL
Tel: 01935 473272 Fax: 01935 472744

YORK
Tel: 01904 686500 Fax: 01904 693786

REGIONAL OFFICES
Northern Regional Office
Tel: 0131 453 2318 Fax: 0131 458 3225
Central Regional Office
Tel: 0115 970 7313 Fax: 0115 970 7314
Southern Regional Office
Tel: 01444 477100 Fax: 01444 415519

ESTIMATING OFFICES
Stirling
Tel: 01786 434828 Fax: 01786 434829
Newcastle
Tel: 0191 256 5444 Fax: 0191 272 3187
Leeds
Tel: 0113 201 6990 Fax: 0113 277 6459
Manchester
Tel: 0161 888 6525 Fax: 0161 888 6526
Birmingham
Tel: 0121 322 4727 Fax: 0121 328 7753
Hemel Hempstead
Tel: 01442 262121 Fax: 01442 262131
Gloucester
Tel: 01452 726130 Fax: 01452 725249
Haywards Heath
Tel: 01444 447100 Fax: 01444 451519



Plumbing Trade Supplies

Head Office:
PTS Plumbing Trade Supplies
Buccaneer Way, Magna Park
Lutterworth
Leicestershire
LE17 4YZ
Tel: 01455 551210
Fax: 01455 550772
E-mail: ptsplumbing@bssgroup.com
www.ptsplumbing.co.uk

Registered Office:
The BSS Group PLC
Fleet House
Lee Circle
Leicester
LE1 3QQ
Tel: 0116 262 3232
Fax: 0116 253 1343